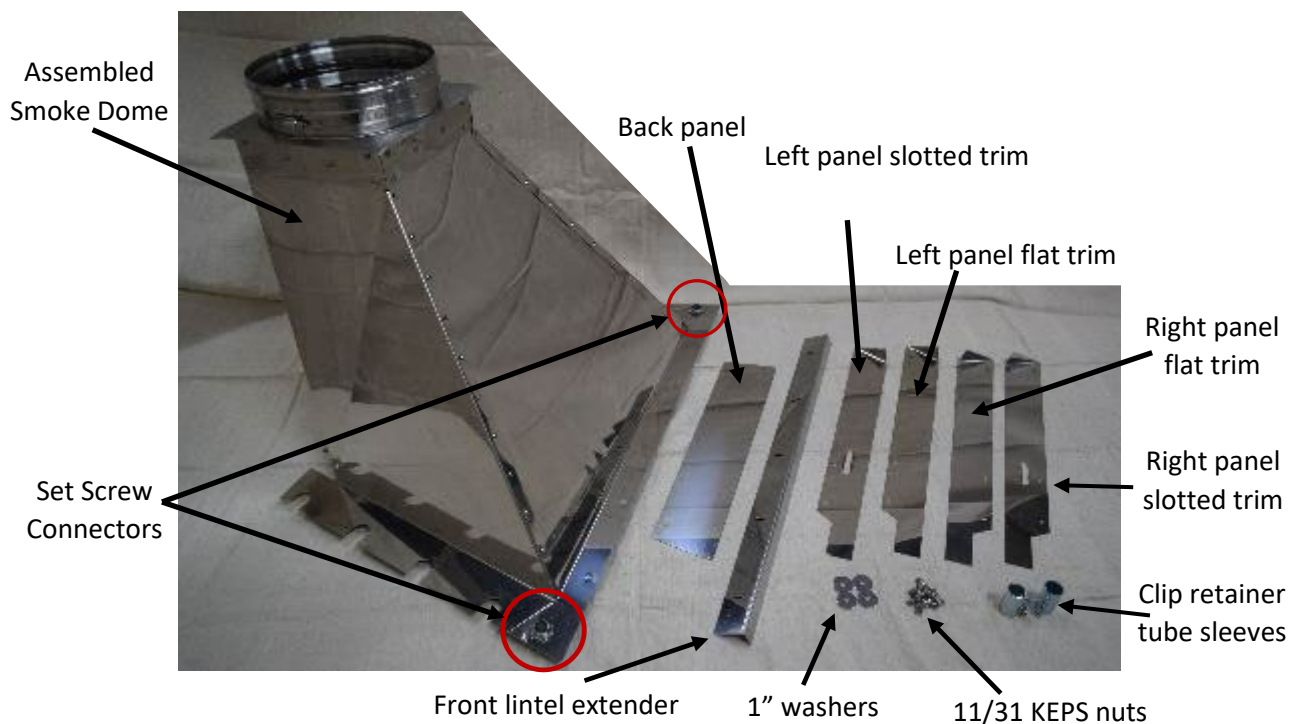


Installation Instructions for Use with Stainless Steel Smoke Chamber Dome

(This replaces the instructions for use with stainless steel smoke chamber on page 16 of the Retrofit Installation Instructions)



Note: The stainless steel smoke chamber dome must be partially installed before the installation of the PriorFire Retrofit unit.

MATERIALS, TOOLS AND SUPPLIES NEEDED

Smoke Dome Supplied Parts

- Assembled smoke dome
- 1 Back trim
- 2 Left trim – slotted and flat
- 2 Right trim – slotted and flat
- Two clip retainer tube sleeves
- Front lintel extender
- 23 KEPS nuts
- Four 1" washers
- Insulation cutting template (printed on side of main box)

Tools and supplies you will need:

- 1/2" foil-faced insulation
- Felt marker
- Foil tape
- Stainless steel wire
- Number 2 square driver or 5/16 nut driver
- 11/32 Nut driver
- Utility knife
- Ceramic wool insulation
- Eye protection
- Gloves
- Dust mask
- Drop lights, rags
- Top mounted damper that complies with local building codes

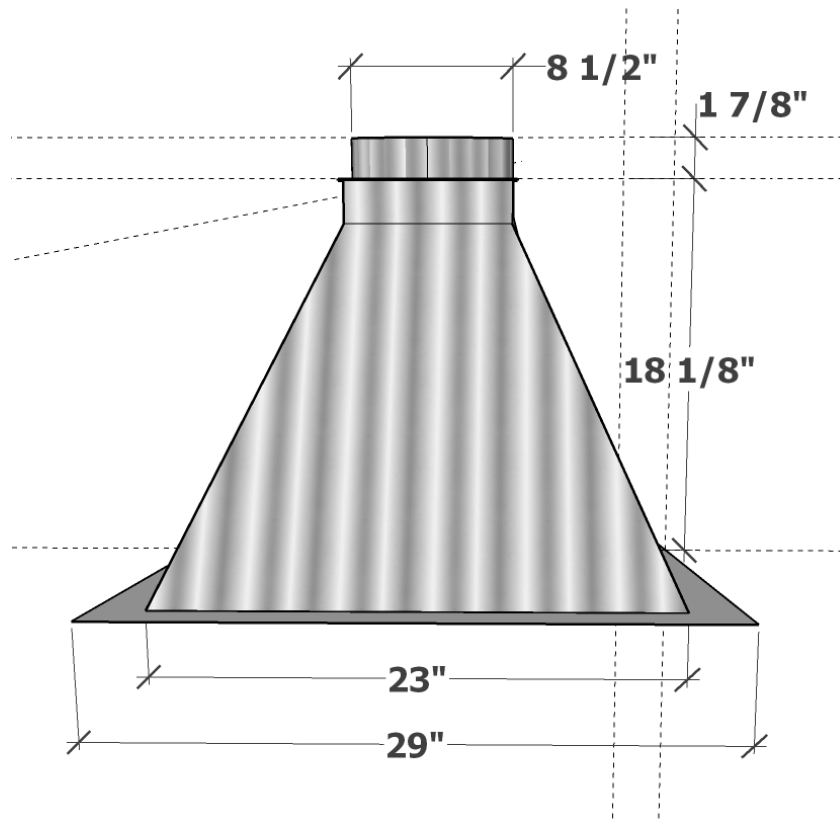
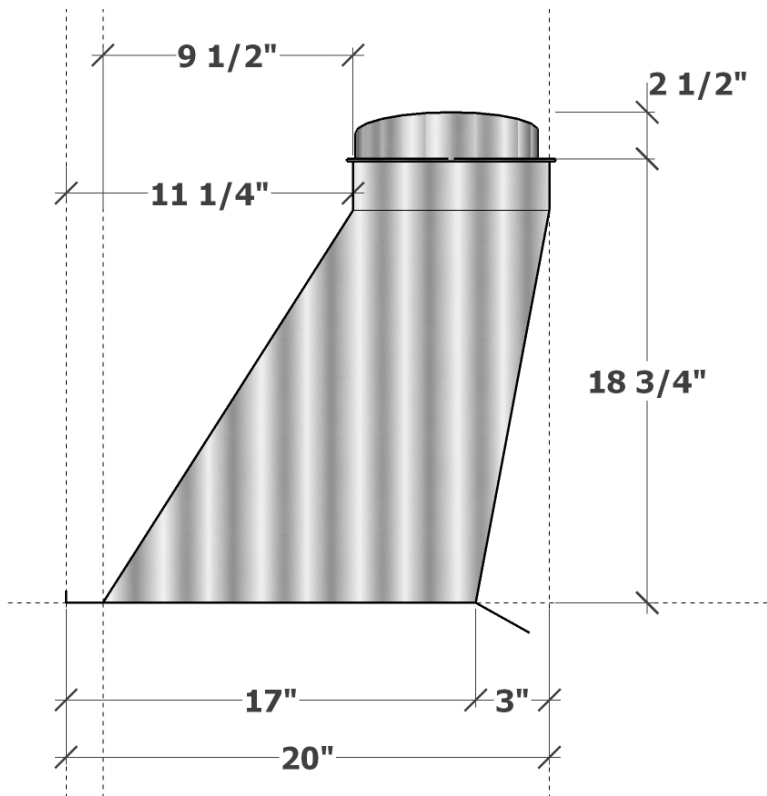
Chimney and Damper Requirements:

The PriorFire Retrofit System, Model P-24 (only model currently available) is intended to be used with any 8" UL listed chimney lining system such as Poured-In-Place, Stainless Steel Flexible or Stainless Steel Ridged liners or any local code acceptable liners such as Clay Flue Tile Liners with a minimum opening of 48 sq. inches.

This unit requires a damper system. It is acceptable to install a UL listed top mounted cap/damper or other in-line damper or top sealing cap/damper that meets local codes.

Chimney liners and damper systems must be installed in accordance with manufacturer's written installation instructions.

Stainless Steel Smoke Chamber Dome Dimensions



Step 1

Remove the existing damper assembly, smoke shelf, and back wall brick to accommodate both the PriorFire Retrofit Unit and stainless steel smoke chamber. Test fit the stainless steel smoke dome to ensure it fits.

Step 2

Cut out the insulation cutting template from the side of the box. Cut 1/2" x 24" foil-faced ceramic wool insulation to 60". Place the template onto one edge of the wool and trace outline with felt marker. See Figure 1.

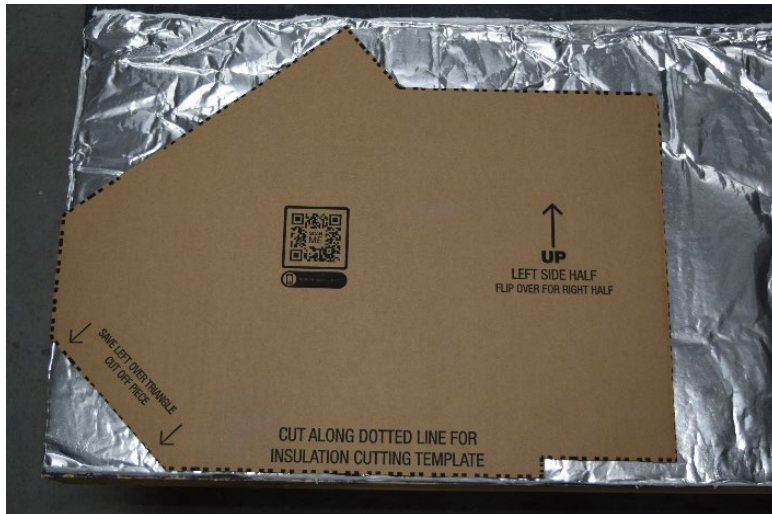


Figure 1

Flip over and repeat. See Figure 2.



Figure 2

Cut out the traced figure, keeping the corner triangle from one side (you will need this piece). See Figures 3 & 4.



Figure 3



Figure 4

Place insulation foil-face down and set the smoke chamber as shown in Figure 5.

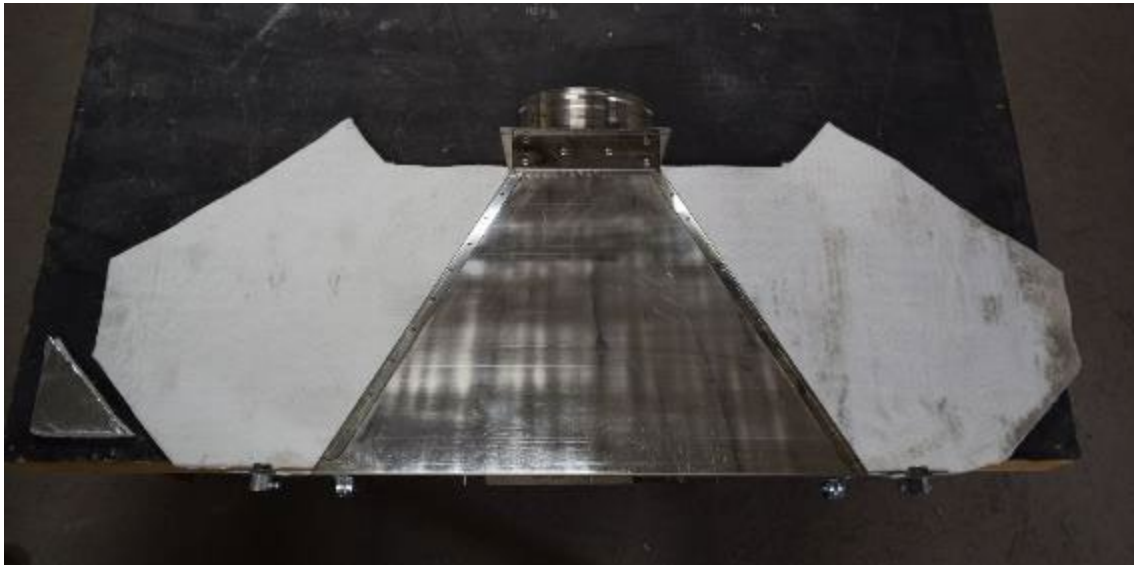


Figure 5

Wrap insulation around the dome and place the leftover triangle piece in the open space at the bottom. Tape with foil-backed tape and wrap with SS wire. See Figures 6-8.



Figure 6



Figure 7



Figure 8

Step 3

Drop the liner down the flue low enough to attach the liner to the band clamp on the stainless steel smoke chamber. If wrap insulation is used on the chimney liner, make sure the insulation at the bottom of the liner meets with the insulation at the top of the stainless steel smoke chamber. Cover the joint with aluminum tape and secure with SS wire.

Step 4

Now that the chimney liner is securely attached to the stainless steel smoke chamber, pull the whole liner with attached smoke chamber dome assembly up as high as possible and at least 33" above the firebox floor to allow room to assemble and install the PriorFire Retrofit unit. Temporarily secure the liner and smoke chamber dome assembly in the raised position.

Step 5

Go to **Step 3** in Section 4 of the Retrofit Installation Manual and complete **Steps 3-12**.

NOTE: In steps 6 & 7 in the Retrofit Installation Instruction Manual, install the clip retainer tube sleeves under the left and right vertical side frames on the corner tube as shown before installing the retrofit frame in the firebox. See Figure 9. Ensure the set screws are *not* facing forward, as shown in Figures 10 & 11, before tightening with a number 2 square driver or 5/16 nut driver.



Figure 9



Figure 10

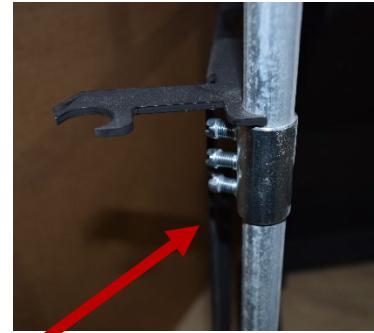


Figure 11



Figure 12

Step 6

Once the PriorFire Retrofit has been completed through Step 12 of Section 4, slowly lower the liner and smoke dome assembly down onto the top of the PriorFire Retrofit. See Figure 13.



Figure 13

The three studs on the back of the smoke chamber go through the three ½" diameter holes on the top of the backwall plenum. Secure the back studs with 1" washers and KEPS nuts using an 11/32 nut driver. See Figure 14.



Figure 14

The front two set screw connectors slip over the right and left front corner clip retainer tubes. Pull down on the front of the smoke chamber to fully engage the connectors onto the corresponding clip retainer tubes as shown in Figures 15 & 16.



Figure 15



Figure 16

Tighten with a Number 2 square screwdriver or 5/16 nut driver as shown in Figure 17.



Figure 17

Step 7

Once the smoke chamber is secured to the clip retainer tubes, remove the finger hooks used to position the unit. Then install the front lintel extender to the dome. Position as far forward as possible and tightly secure with nuts. See Figure 18.



Figure 18

Then go back and install the brick by completing **Step 13** through **Step 16** in Section 4 of the Retrofit manual.

Step 8

Once the brick has been installed, tightly seal the gap between the dome and the brick with ceramic wool insulation. Measure the gaps between the top of the brick and the bottom of the smoke chamber to determine how much wool is needed. Pack the gaps tightly with ceramic wool, making sure wool is flush with the face of the brick and smoke chamber. If any gaps exist around the lintel extender and the back of the lintel, pack with wool. See Figures 19-21.



Figure 19



Figure 20

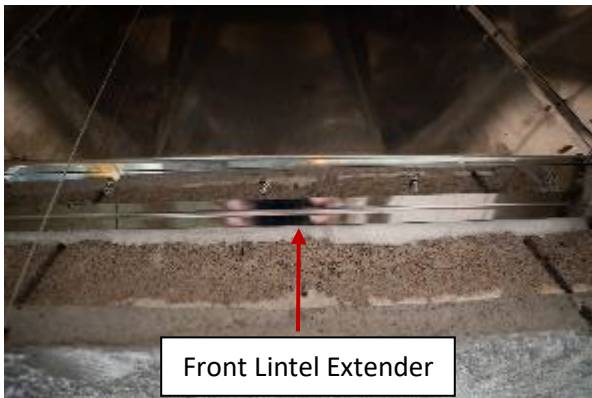


Figure 21

Step 9

Install the left and right side trim, using the slotted side trim to slip over the damper bracket. See Figure 22.



Figure 22

Then install the back trim piece over the left and right side trim and securely fasten all trim pieces with the stainless steel KEPS nuts. See Figure 23.



Figure 23

Step 10

Go to **Step 17** in Section 4 of the Retrofit manual and complete through **Step 22** to complete the installation.